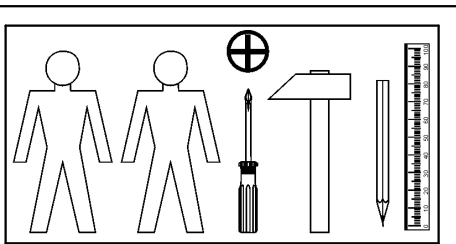
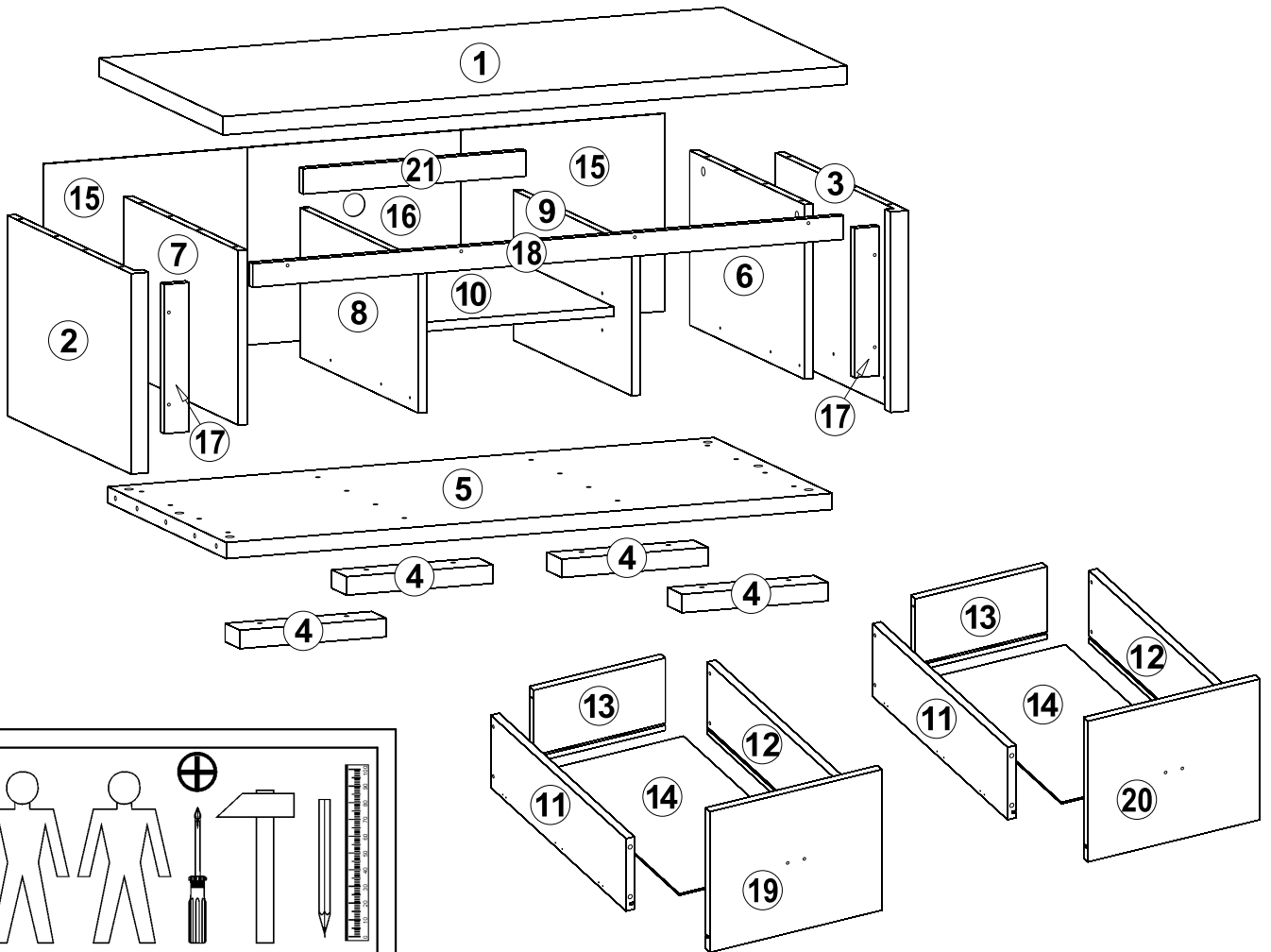
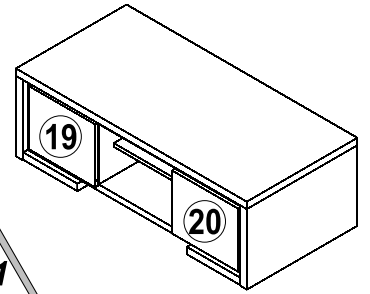


# НИКОЛЬ / НИКОЛЬ

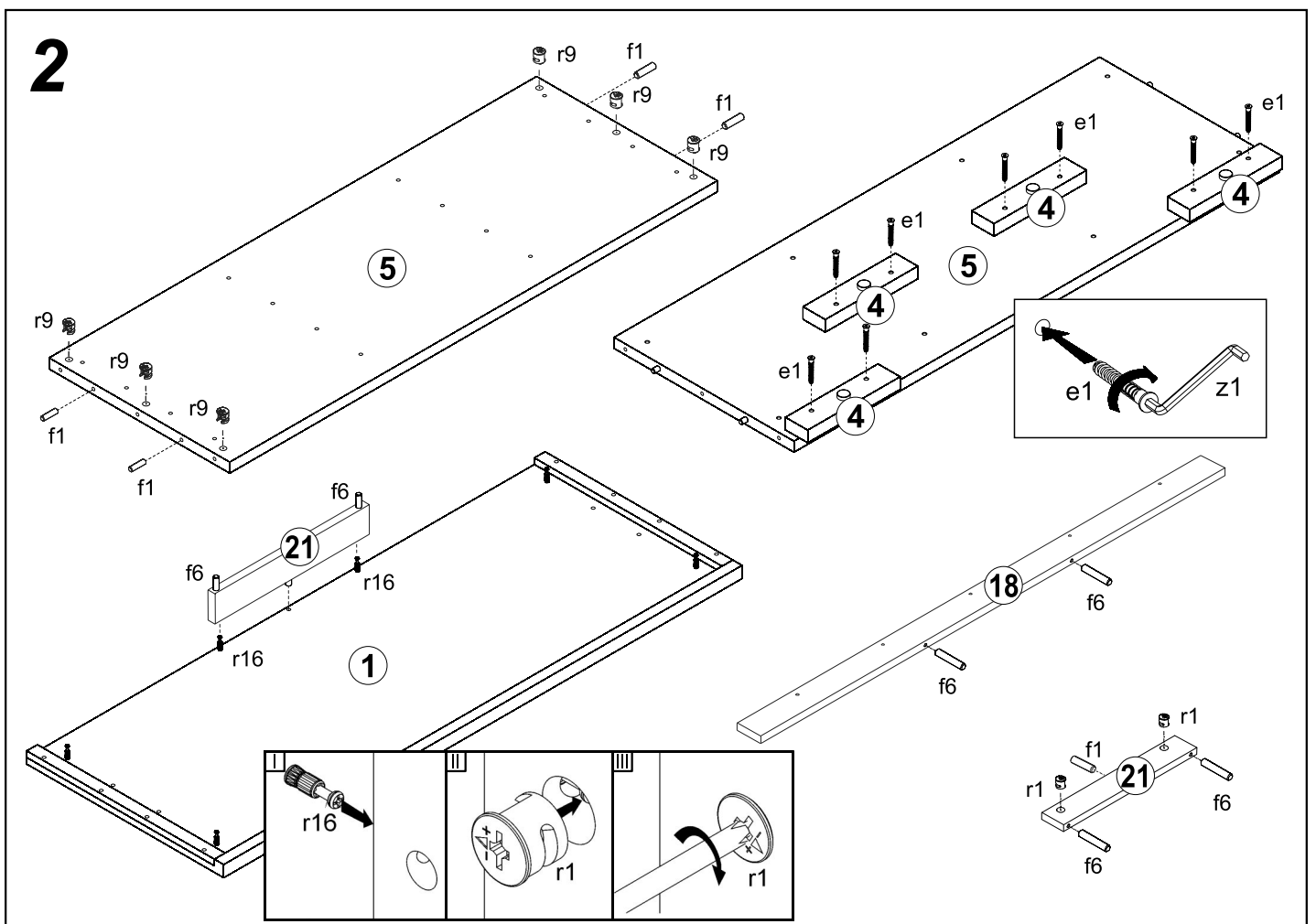
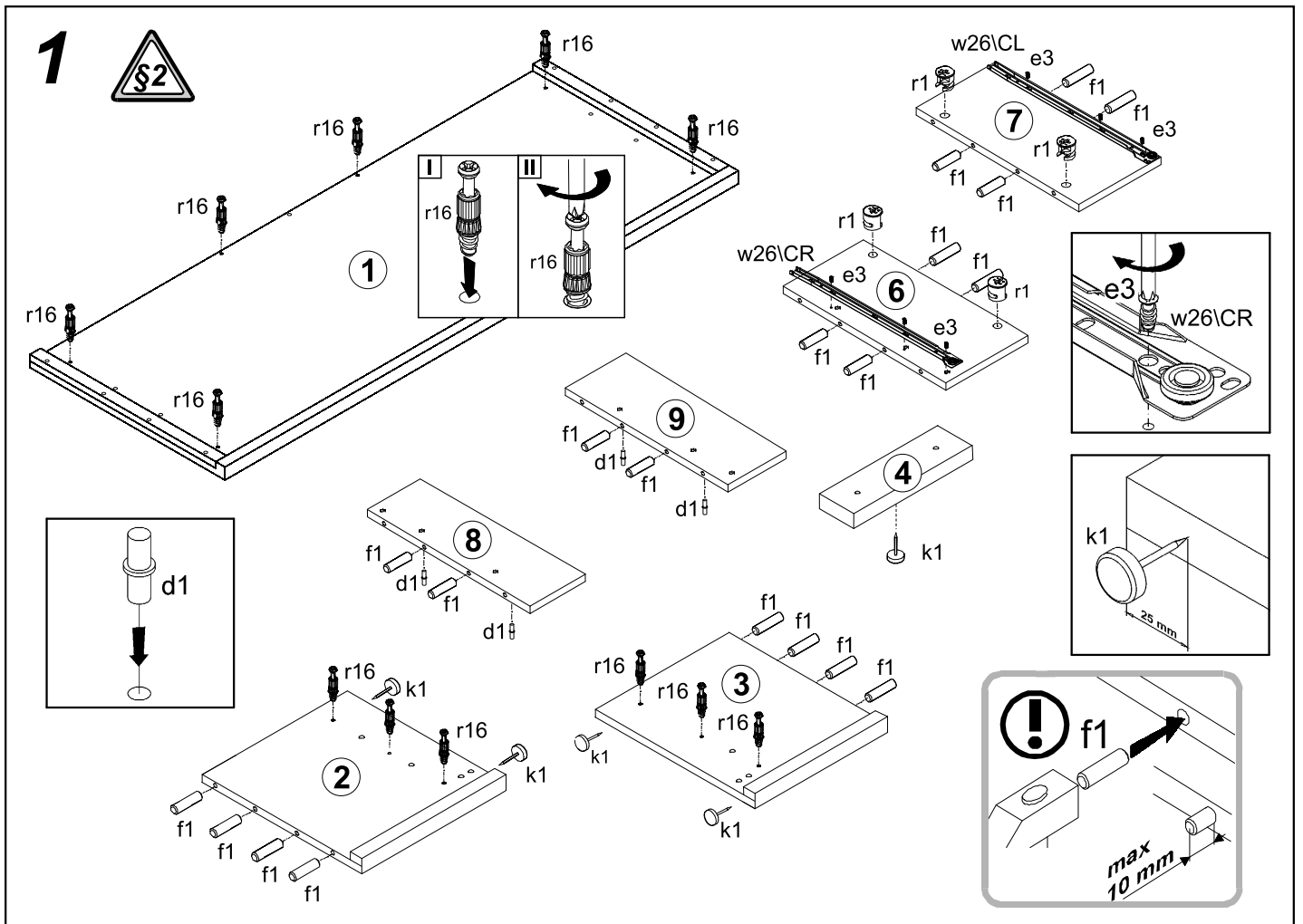
Тумба РТВ 115

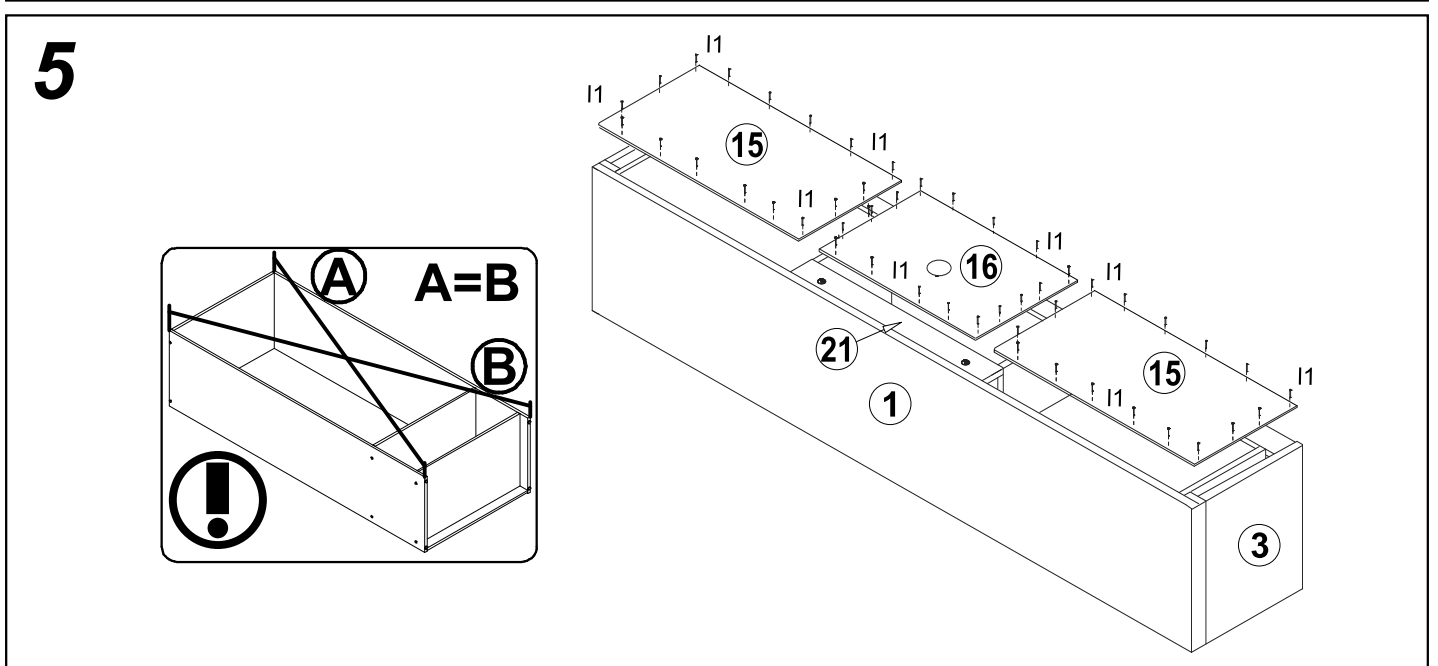
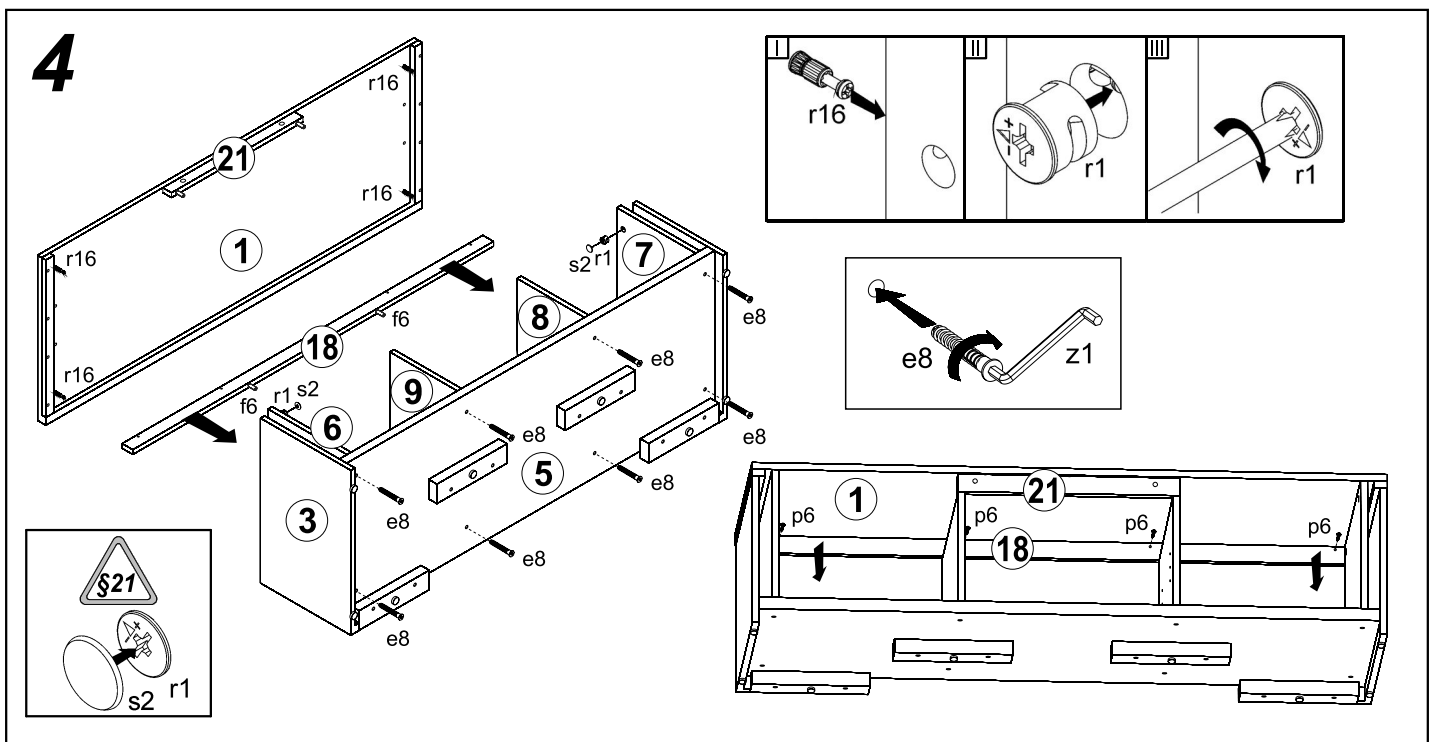
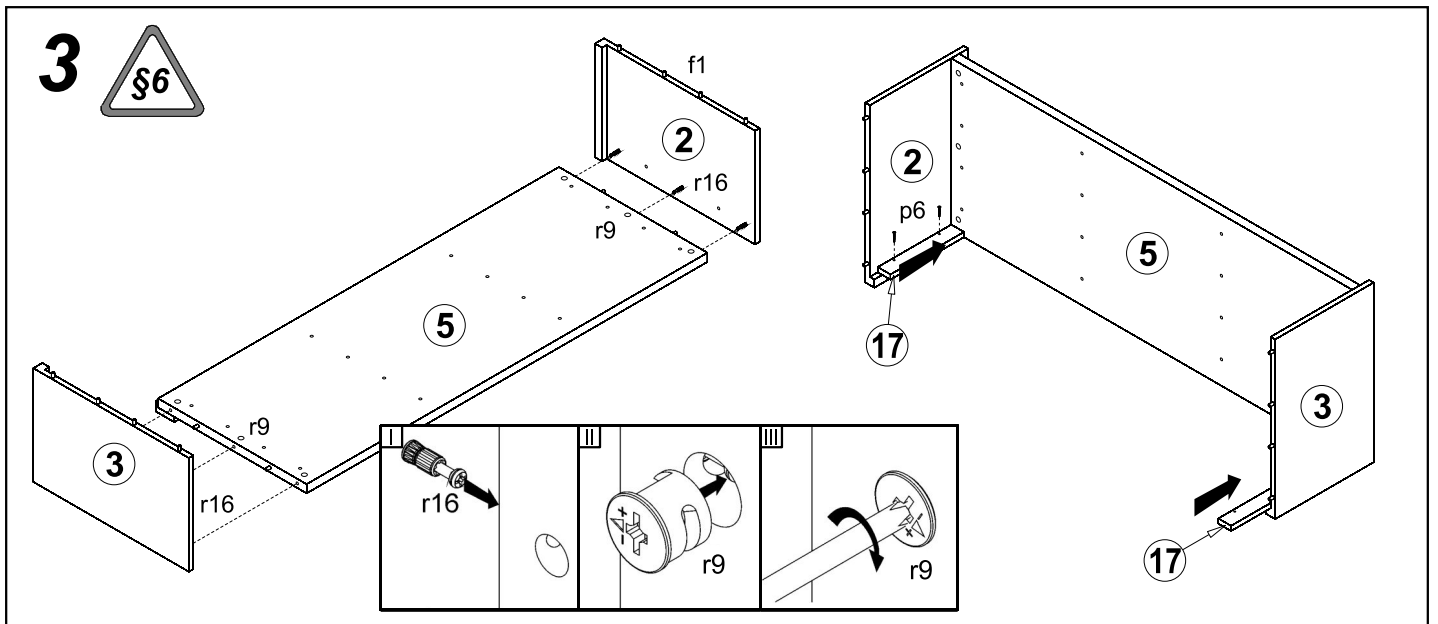
A	B	C	D	
1	NK1-216	1150	551	1/3
2	NK1-131	348	550	2/3
3	NK1-129	348	550	2/3
4	NK1-531	270	65	2/3
5	NK1-326	1117	525	1/3
6	NK1-133	303	508	2/3
7	NK1-134	303	508	2/3
8	NK1-136	260	525	1/3
9	NK1-135	260	525	1/3
10	NK1-327	376	450	1/3
11	NK1-523	500	140	2/3

A	B	C	D	
12	NK1-524	500	140	2/3
13	NK1-533	252	140	1/3
14	NK1-924	500	267	1/3
15	NK1-923	343	376	2/3
16	NK1-925	343	393	2/3
17	NK1-433	259	45	1/3
18	NK1-467	1089	41	1/3
19	NK1-029	330	272	3/3
20	NK1-030	330	272	3/3
21	NK1-466	410	44	1/3

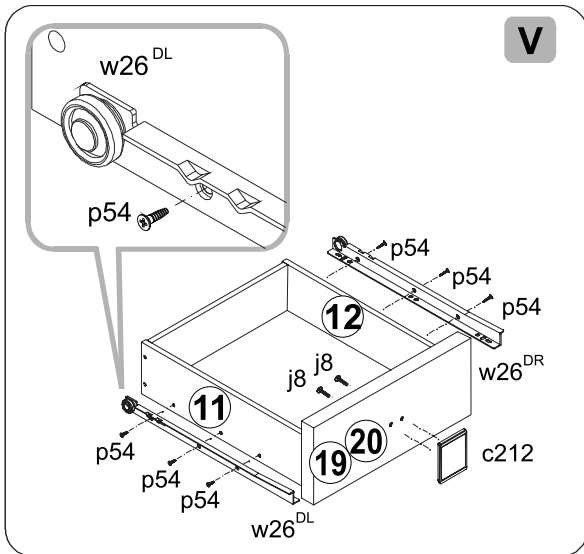
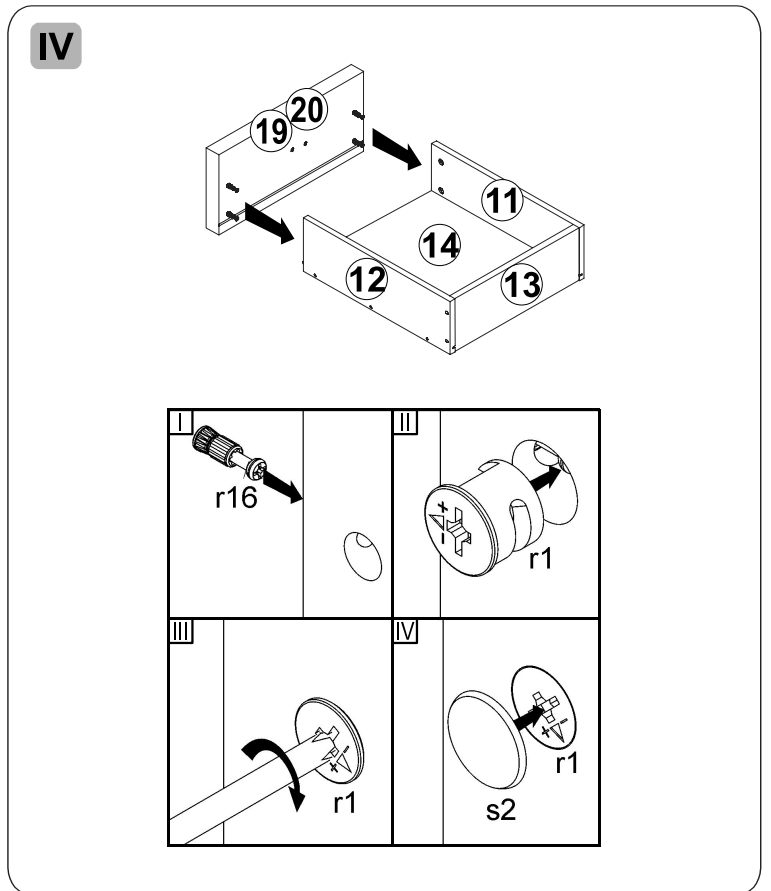
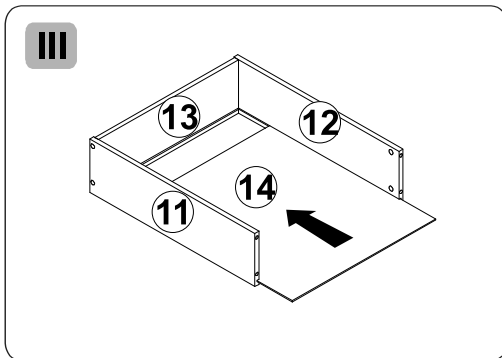
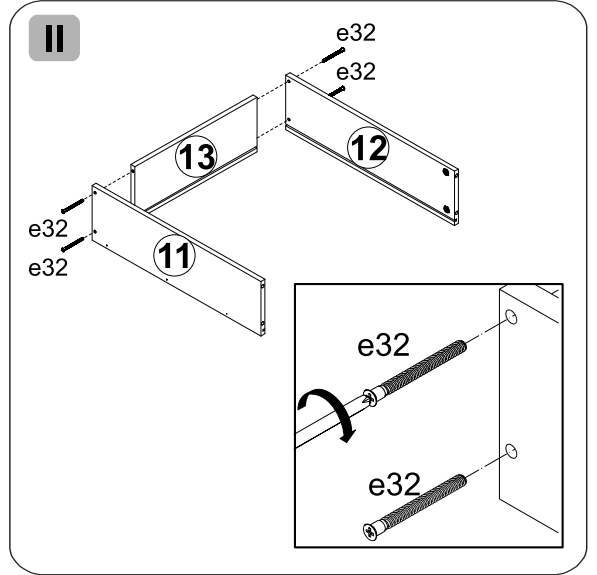
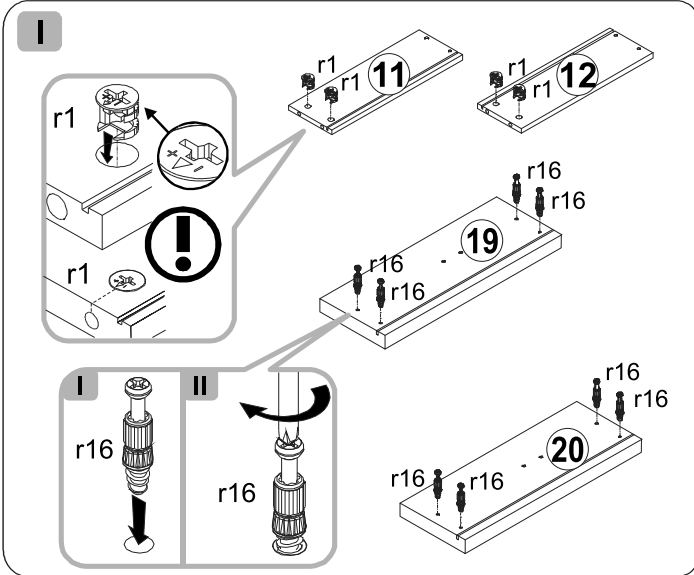


2x 160 mm <b>c212</b>	4x $\phi 5 \times 17$ mm <b>d1</b>	8x $\phi 7 \times 50$ mm <b>e1</b>	12x $\phi 6 \times 13$ mm <b>e3</b>	8x $\phi 7 \times 60$ mm <b>e8</b>	8x $\phi 5 \times 50$ mm <b>e32</b>	25x $\phi 8 \times 30$ mm <b>f1</b>
4x $\phi 8 \times 50$ mm <b>f6</b>	4x M4x25 mm <b>j8</b>	8x <b>k1</b>	50x <b>l1</b>	8x $\phi 4 \times 35$ mm <b>p6</b>	12x $\phi 3 \times 12$ mm <b>p54</b>	14x $\phi 15 \times 12$ mm #16 <b>r1</b>
6x $\phi 15 \times 12$ mm #28 <b>r9</b>	20x 20/9 <b>r16</b>	10x $\phi 16$ <b>s2</b>	2x 500 mm <b>w26<sup>DR</sup></b>	2x 500 mm <b>w26<sup>CR</sup></b>	2x 500 mm <b>w26<sup>DL</sup></b>	2x 500 mm <b>w26<sup>CL</sup></b>
1x <b>z1</b>						





# 6



# 7

